



Assembly Manual

Auxiliary suction turbine (7181.35)

Introduction

Foreword

This assembly manual may be used only in conjunction with the operating manual of the machine.

Safety instructions

Please observe the general safety regulations of the corresponding machine in the relevant operating manual. Place the machine on a level surface and secure it with the parking brake. Switch the machine off and pull out the key.

We would expressly advise you that no legal claims may be asserted based on the contents of this manual. In the case of necessary repair work, please make sure that only original spare parts are used. Only original spare parts guarantee constant and reliable operational readiness of your machine. We reserve the right to make changes in the interests of further technical development.

Valid as from: Mai 2018

Hako GmbH
23843 Bad Oldesloe, Germany
Hamburger Str. 209-239
Phone +49 4531 806-0

1 Auxiliary suction turbine

1.1 Parts list

- 1 1x suction turbine, compl.
- 2 1x insulating ring
- 3 1x retention plate
- 4 1x seal
- 5 2x tension springs
- 6 1x hose
- 7 1x hose clamp
- 8 2x wing nuts M6
- 9 2x knurled nuts M6
- 10 2x eye bolts M6x30

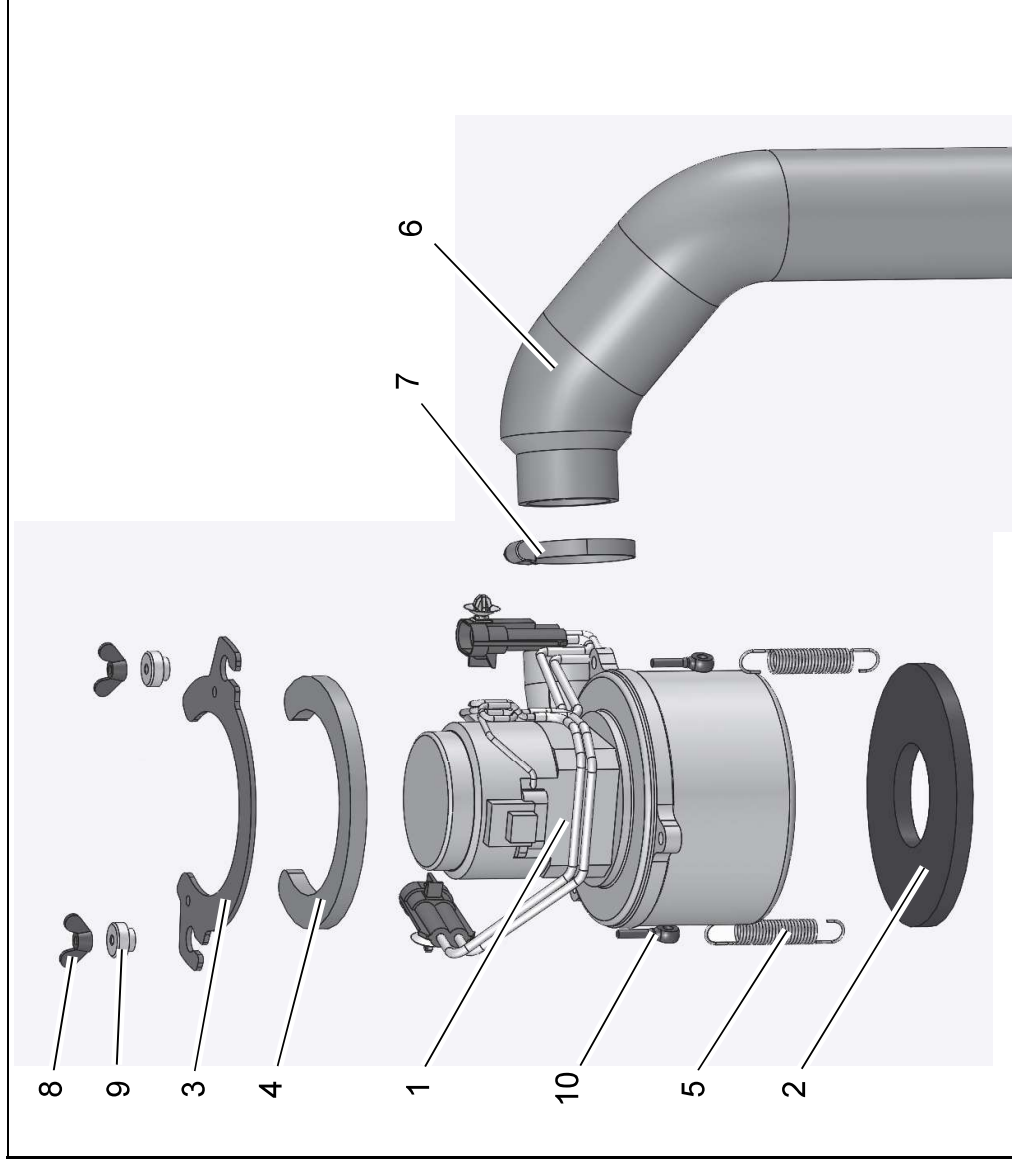


Fig. 1

Auxiliary suction turbine

1.2 Assembly

1. Open side panelling with provided wrench and remove (Fig. 2/1).
2. Remove sealing plugs from plate of suction turbine (Fig. 2/2).
3. Pre-assemble suction turbine as shown in illustration 3.
4. Install suction turbine in machine (Fig. 2/3). During installation, ensure that the recess of the suction turbine is fully inserted into the drill hole of the plate.

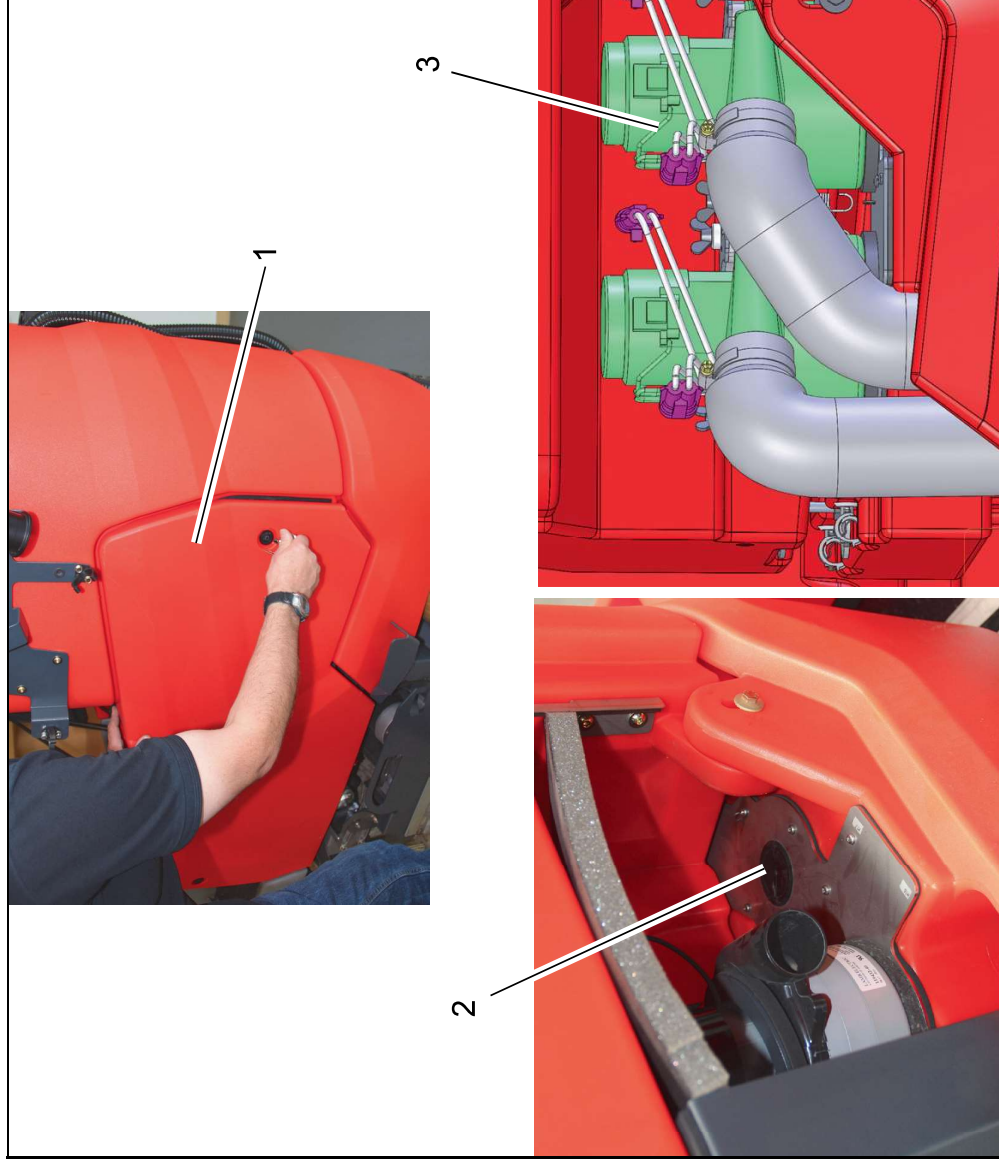


Fig. 2

Auxiliary suction turbine

1.3 Fitting the suction turbine

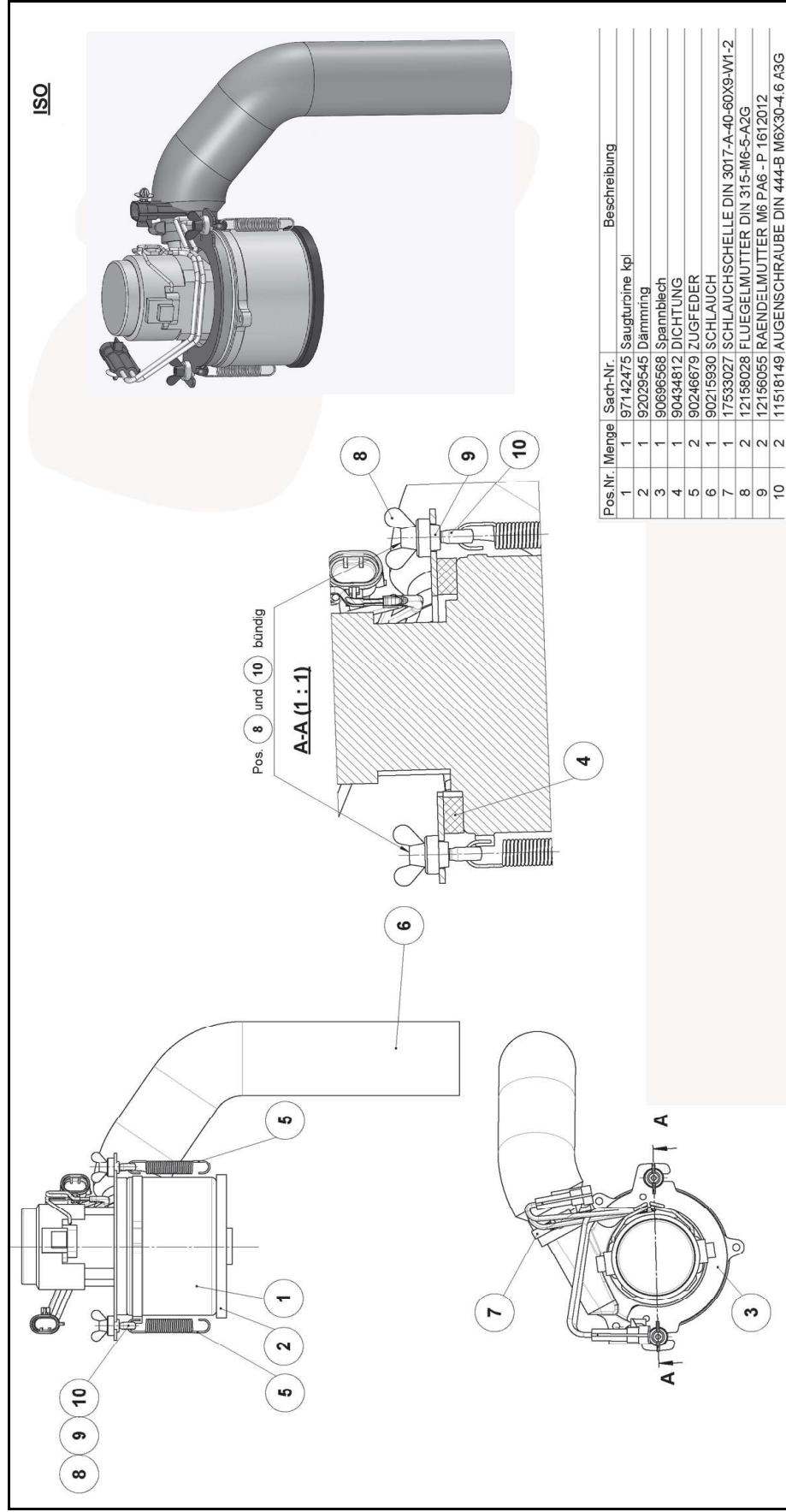


Fig. 3

Auxiliary suction turbine

1.4 Electrical connections

Make connections as shown in wiring diagram.

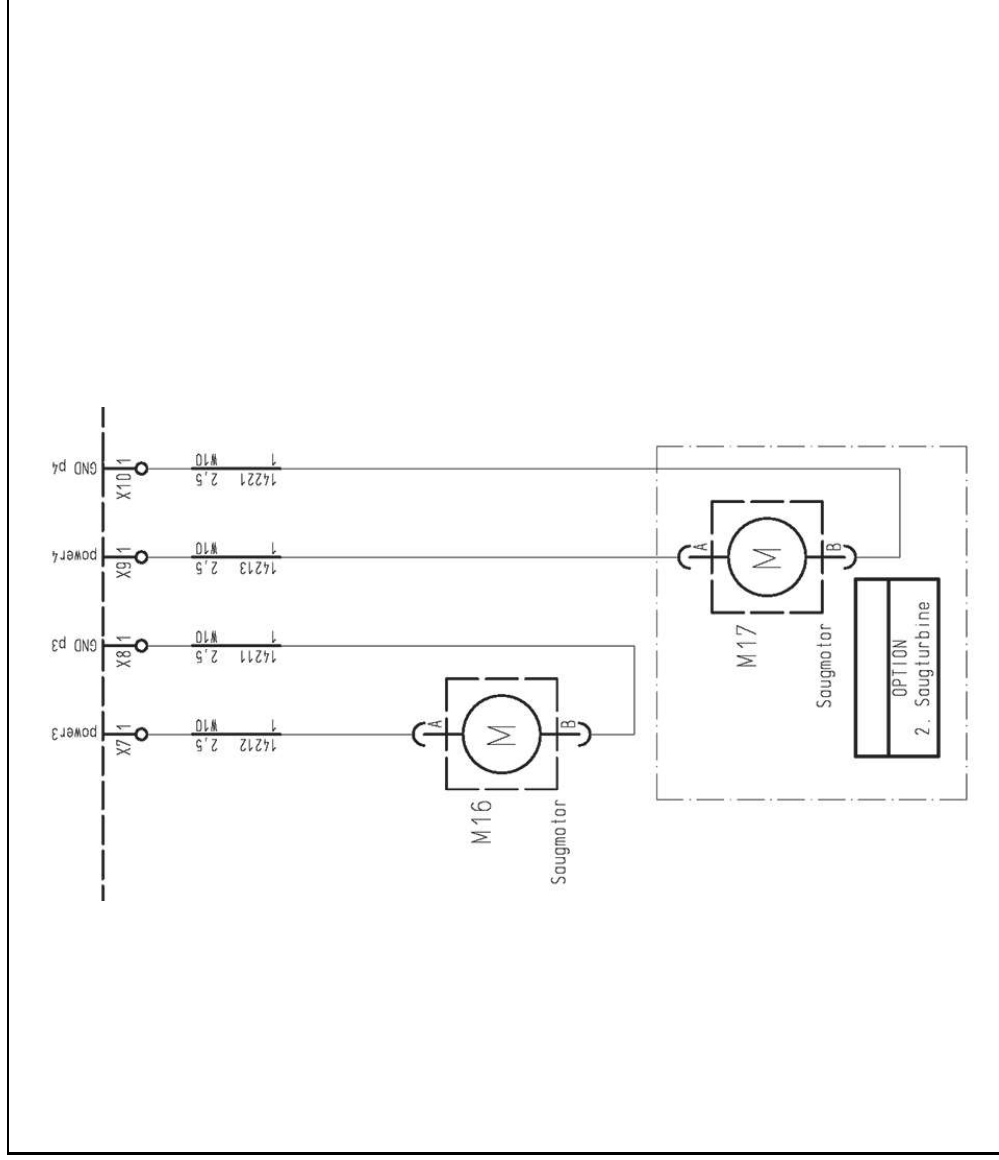


Fig. 4

Auxiliary suction turbine

1.5 Setting in the configuration menu

The auxiliary suction turbine option must be activated via the configuration menu.

Option	Value
Auxiliary suction turbine	1.9.1.

Requirements:

- Batteries inserted
- 4-digit code or diagnosis plug 97097737 present

If diagnosis plug is used:
Plug diagnosis plug into slot X20 of controller A1 (Fig. 5/1).

Setting:

1. Turn on the machine.
2. Select the arrow soft key (Fig. 5/3) on the control panel using the turn-push knob (DDS)(Fig. 5/2) and press to access the sub-menu.
3. Select the configuration menu in the sub-menu (Fig. 5/4).

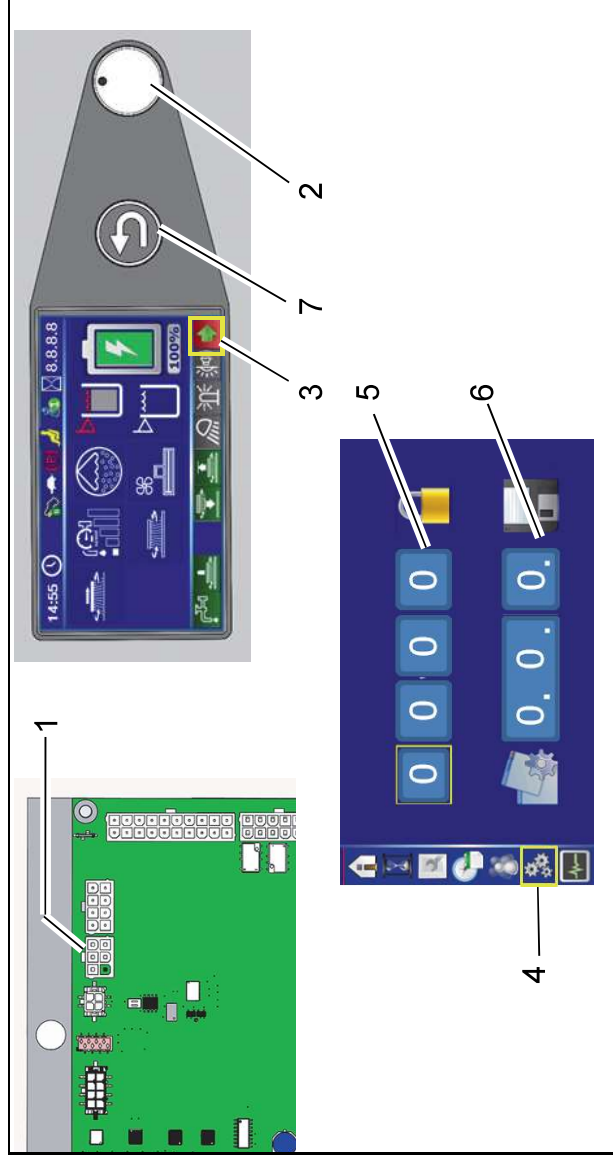


Fig. 5

4. Enter the 4-digit code in the configuration menu at the top (Fig. 5/5):
 - Rotate the DDS until the required field is reached.
 - Press DDS, then rotate to set the value.
 - Press again to save the value. Alternatively, use the diagnosis plug!
5. In the configuration menu at the bottom (Fig. 5/6), set the value of the option and save by pressing the DDS. After confirming the last digit, OK? appears. Press DDS again to save the value. Saved value is displayed in green. If the value is not to be saved, exit menu using the return key (Fig. 5/7).



Clean ahead

Advanced Technology for a Cleaner, Better Environment



Hako GmbH · Head Office · Hamburger Str. 209-239 · 23843 Bad Oldesloe · Germany
Phone +49 4531 806-0 · Fax +49 4531 806-338